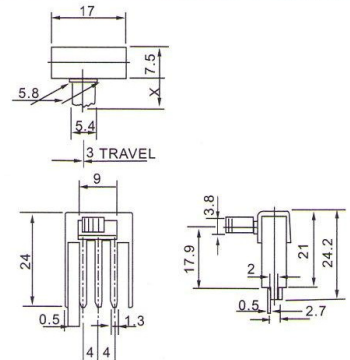
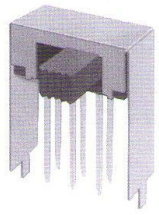
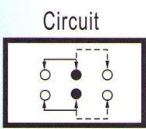
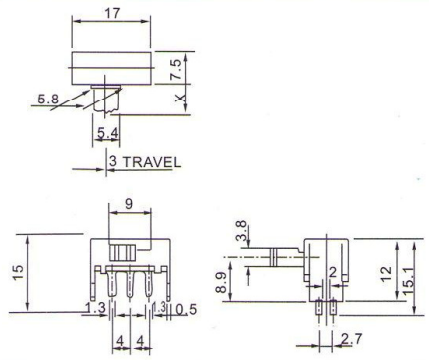
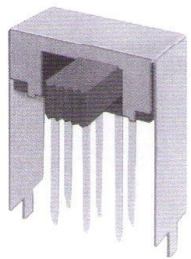
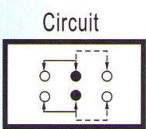


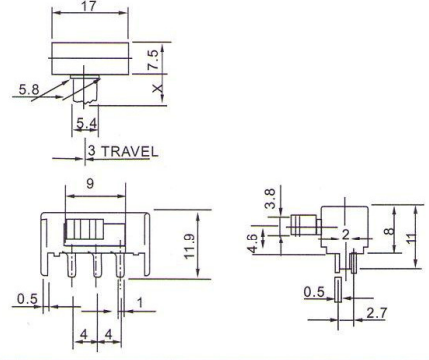
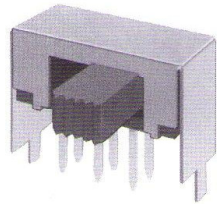
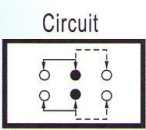
Part No.	SK-22F09
Circuit	2P 2T
Rating	DC 50V 0.5A
Timing	Non-shorting
Knob Length	G 2-18 M 7-16



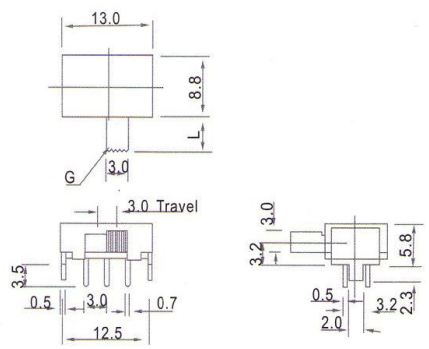
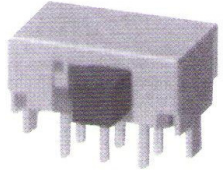
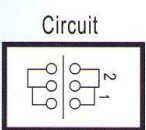
Part No.	SK-22F10
Circuit	2P 2T
Rating	DC 50V 0.5A
Timing	Non-shorting
Knob Length	G 2-18 T 4-15 M 7-16



Part No.	SK-22F12
Circuit	2P 2T
Rating	DC 50V 0.5A
Timing	Non-shorting
Knob Length	G 2-18 T 4-15 M 7-16



Part No.	SK-22F18
Circuit	2P 2T
Rating	DC 50V 0.5A
Timing	Non-shorting
Knob Length	G 2-12



Part No.	SK-22H01 A
	SK-22H14 B
Circuit	2P 2T
Rating	DC 50V 0.3A
Timing	Non-Shorting
Knob Length	G 2-16

